

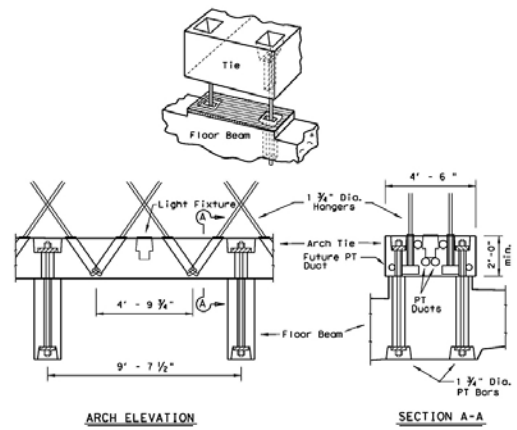
PROJECT / WEST 7TH STREET BRIDGE



Arch elements. Photo: Sundt Construction, Inc.



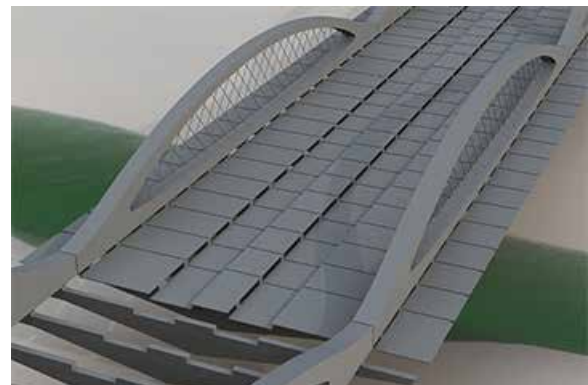
Arch setting at night. Photo: Liam Frederick.



Arch tie to floor beam connection. Photo: TxDOT.



The arches were erected on both sides of the existing bridge to minimize closure times. Photo: TxDOT.



Precast arches, floor beams, and panels. Photo: TxDOT.