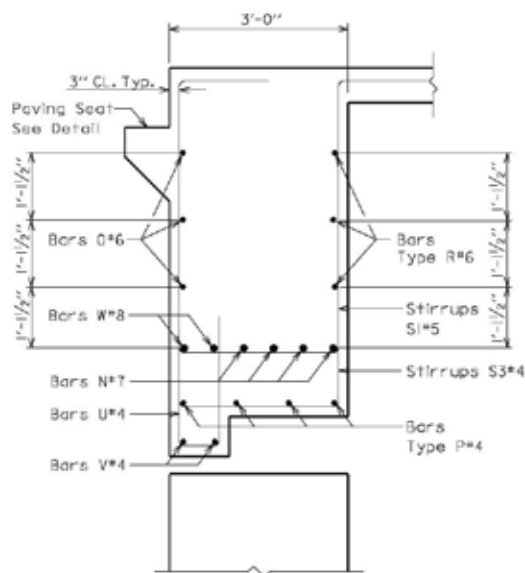
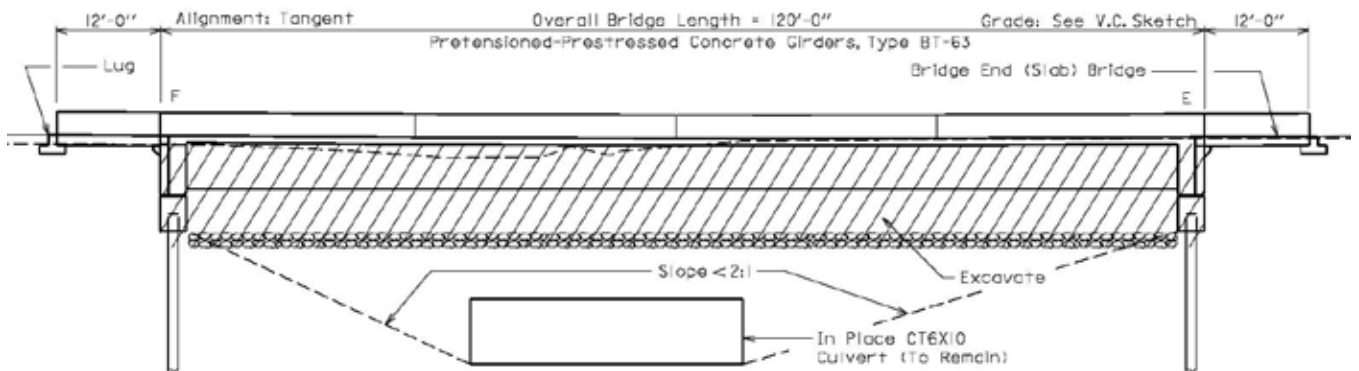


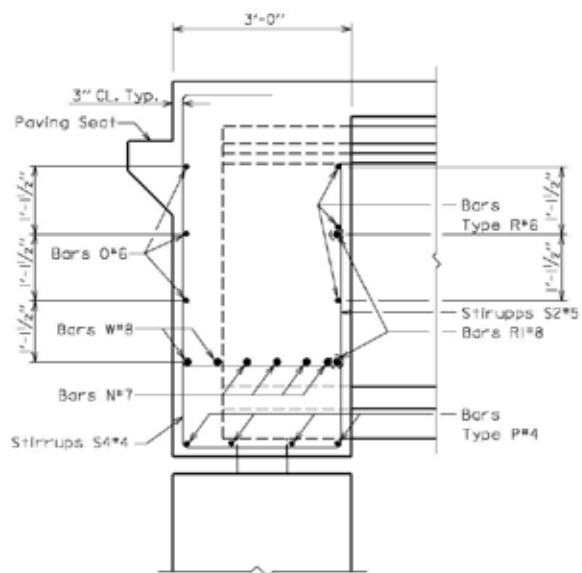
PROJECT / BRIDGE OVER CULVERT ON SR 210 (US 231)



PROJECT / BRIDGE OVER CULVERT ON SR 210 (US 231)



Section Thru Jacking Bay



Section Next To Girder